





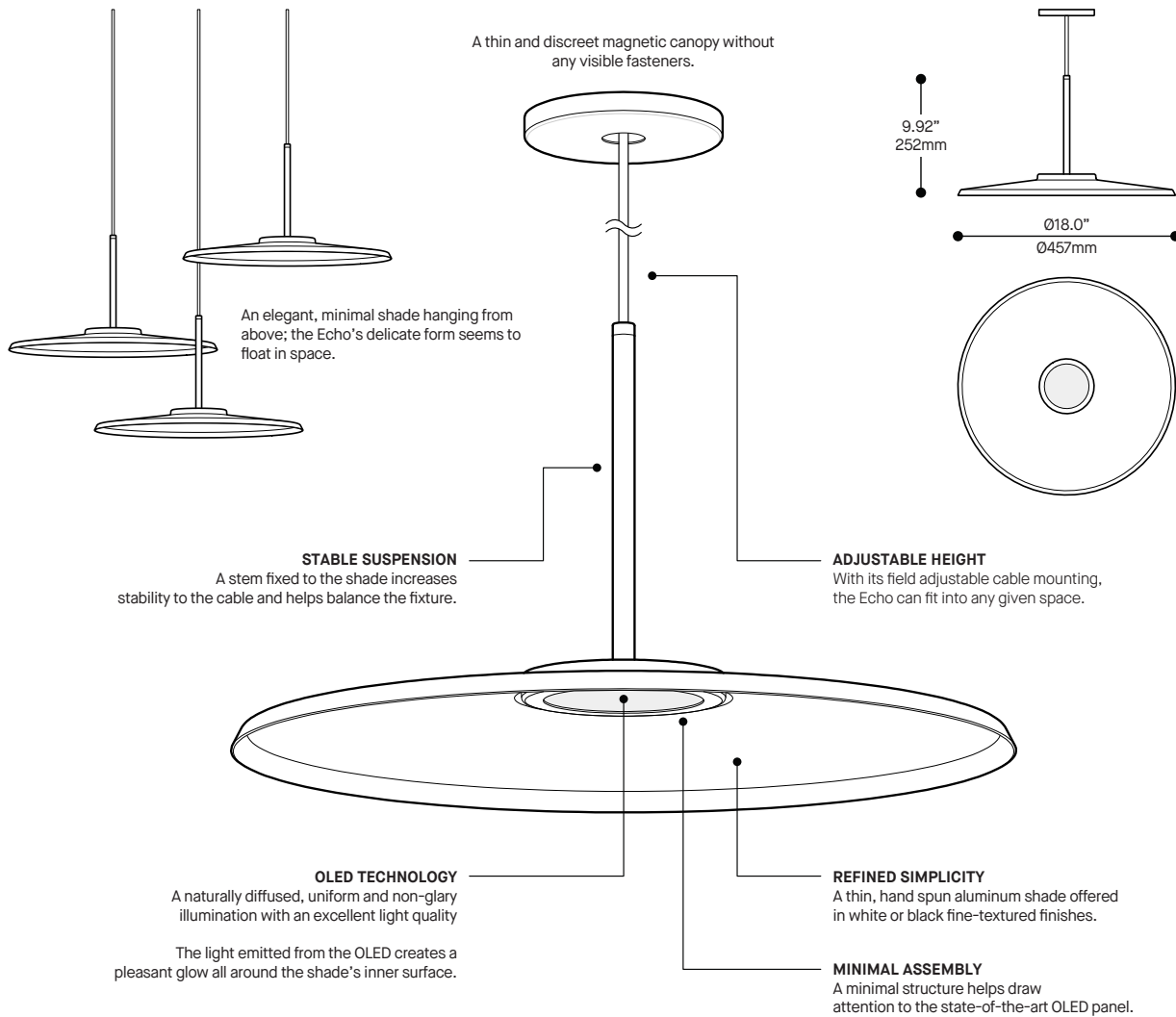






**REFINED SIMPLICITY**  
An elegant, minimal shade;  
Echo's delicate form seems to float in space

# TECHNICAL DATA



**PRODUCT SPECIFICATION**      **4263-18**

**PERFORMANCE**

SYSTEM WATTAGE	2.7W
DELIVERED LUMENS (3000K)	193 LM
EFFICACY	71.5LM/W

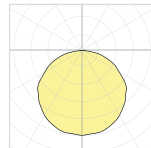
**OTHER INFORMATION**

LUMINAIRE'S WEIGHT	ON REQUEST
--------------------	------------

**EFFICACY MULTIPLIERS**

CRI	CCT	FACTOR
80+	4000K	N/A
80+	3500K	N/A
80+	3000K	N/A
80+	2700K	N/A
90+	4000K	0.83
90+	3500K	N/A
90+	3000K	1.0
90+	2700K	N/A

**LIGHT DISTRIBUTION**



4263-18



Visit our website for warranty terms and conditions.

# ECHO 4263-18

PROJECT PROJET
SPEC TYPE
NOTES



## FINISH FINI



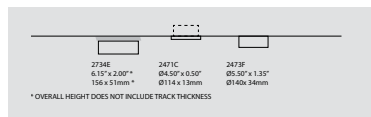
BLKE

WHE

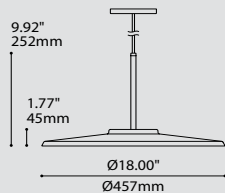
## OVERALL HEIGHT HAUTEUR HORS TOUT

	LED TRACK 1 CIRCUIT	LED 0.50" CANOPY	LED 1.35" CANOPY
MOUNTING	2734E	2471C	2473F
CABLE	63.77"	62.27"	63.12"

## MOUNTING OPTIONS OPTIONS DE MONTAGE



4263-18



ORDERING SPECIFICATION	SPÉCIFICATION DE COMMANDE	CODE
<b>MODEL MODÈLE</b>	4263-18 ECHO	4263-18
<b>LIGHT SOURCE SOURCE LUMINEUSE</b>	OLED	OLED
<b>OLED</b>	REGULAR OUTPUT	
<b>COLOR TEMPERATURE TEMPÉRATURE DE COULEUR</b>		
30	3000K	
40	4000K	
<b>VOLTAGE VOLTAGE</b>		
120V	120 VOLT	
277V	277 VOLT	
<b>DIMMING OPTION OPTION DE GRADATION</b>		
DP	PHASE DIMMING (120V ONLY)	
<b>CABLE CABLE</b>		C
C*	BLACK OR WHITE CABLE, FIELD ADJUSTABLE * FOR WHITE SHADE: WHITE CABLE, FOR BLACK SHADE: BLACK CABLE	
<b>CABLE LENGTH LONGUEUR DE CABLE</b>		
60	60" CABLE (STD LENGTH)	
**	CUSTOM CABLE LENGTH (PLEASE SPECIFY) FOR OVERALL LENGTH, PLEASE CONTACT YOUR EUREKA REPRESENTATIVE	
<b>MOUNTING MONTAGE</b>		
RC1	ROUND CANOPY / PAVILLON ROND	
RC2*	SCREWLESS 1.35" CANOPY (2473F) SCREWLESS 0.5" CANOPY (2471C)	
TA1	TRACK ADAPTOR / ADAPTATEUR DE RAIL 1 CIRCUIT LED DIMMING 120V ADAPTOR (2734E) * 3983 ACCESSORY IS NECESSARY FOR 2471C	
<b>TRACK ADAPTOR FINISH FINI ADAPTATEUR DE RAIL</b>		
BLK	BLACK	
WH	WHITE	
<b>CANOPY FINISH FINI PAVILLON</b>		
BLKE	BLACK FINE TEXTURE	
WHE	WHITE FINE TEXTURE	
<b>SHADE FINISH FINI ABAT-JOUR<sup>(A)</sup></b>		
BLKE	BLACK FINE TEXTURE	
WHE	WHITE FINE TEXTURE	
	<sup>(A)</sup> STEM FINISH IS COLOR MATCHING SHADE FINISH	
<b>ACCESSORY ACCESSOIRE</b>		
3983	DEEP JUNCTION BOX (REQUIRED FOR SCREWLESS 0.5" CANOPY 2471C OPTION)	

## PRODUCT CHARACTERISTICS CARACTÉRISTIQUES DU PRODUIT



<b>DESIGN :</b>	A thin, minimal shade complements the perfectly diffused OLED module found at its core. Echo's delicate form leaves it floating in space while the glare-free illumination from the OLED creates a soft, welcoming light.
<b>INSTALLATION :</b>	Simple installation with single power cable on screwless canopy. Deep junction box (3983) included.
<b>LIGHT SOURCE :</b>	State-of-the-art round OLED module with a soft, glare-free illumination. Offered in phase dimming (DP).
<b>SHADE :</b>	Spun aluminum shade offered in white or black fine textured finishes.
<b>CERTIFIED :</b>	c-CSA-us
<b>CONCEPTION :</b>	Un abat-jour minimaliste accompagne le module OLED, parfaitement diffus, centré à sa base. La forme délicate du Echo le laisse flotter dans l'espace tandis que l'illumination non éblouissante du OLED crée une lumière douce et accueillante.
<b>INSTALLATION :</b>	Installation simple sur câble unique avec pavillon magnétique. Boîte de jonction profonde (3983) incluse.
<b>SOURCE LUMINEUSE :</b>	Module haut de gamme OLED rond avec une douce illumination non éblouissante. Offert avec gradation phase (DP).
<b>ABAT-JOUR :</b>	Abat-jour repoussé en aluminium offert en peinture noire ou blanche finement texturée.
<b>CERTIFIÉ :</b>	c-CSA-us





# Photometric Report

## 4263-18 - OLED

CCT (K):	3000
Delivered Lumens (lm):	193
System wattage (W)*:	2.7
Distribution:	Direct
Delivered Efficacy (lm/W):	71.5
Photometric type	C

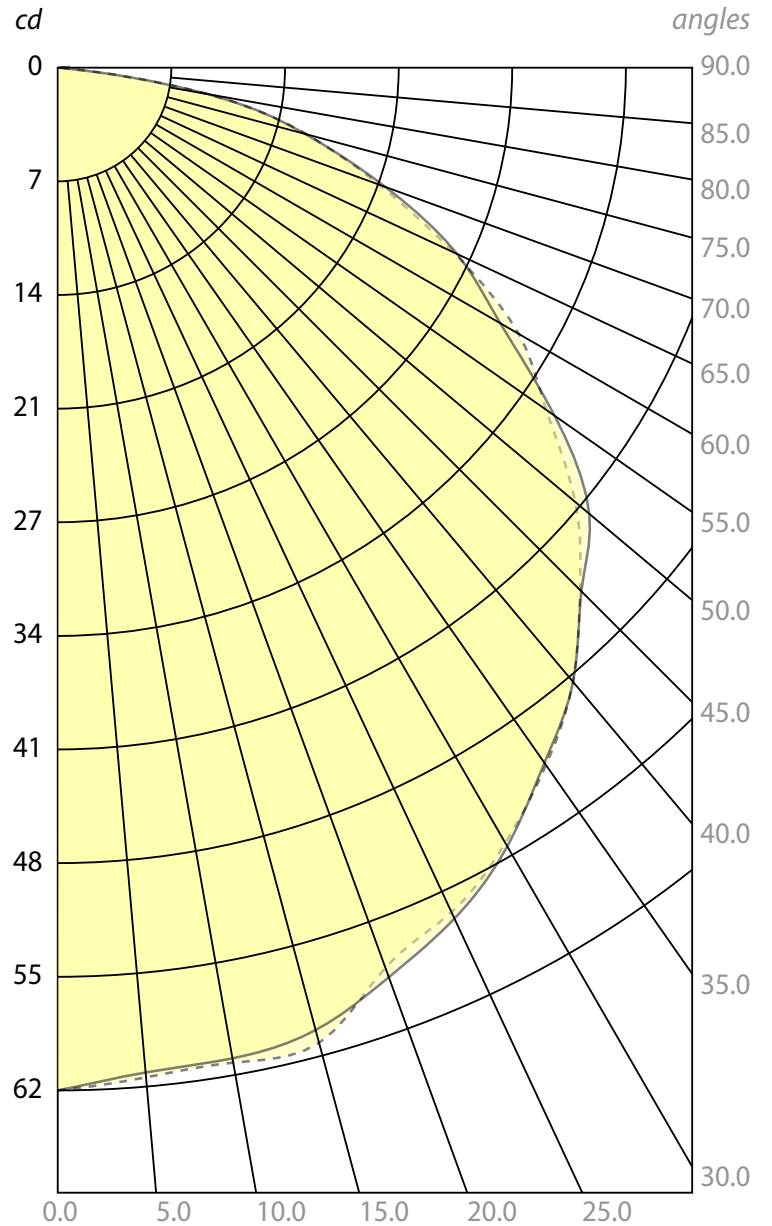
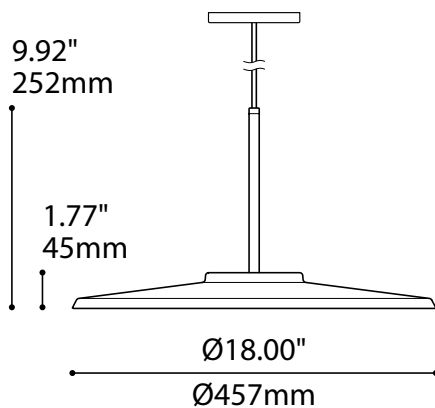
### Luminous dimensions

Luminous shape:	Rectangle
Units:	in (mm)
0-180 Axis:	19.68 (500)
90-270 Axis:	19.68 (500)
Height:	0.0 (0)

### Luminaire spacing criteria

2 luminaires, plane 0:	1.30
2 luminaires, plane 90:	1.30
4 luminaires:	1.43

\*System wattage include driver and OLED module consumption



— 0 - 180  
 - - - 90 - 270

